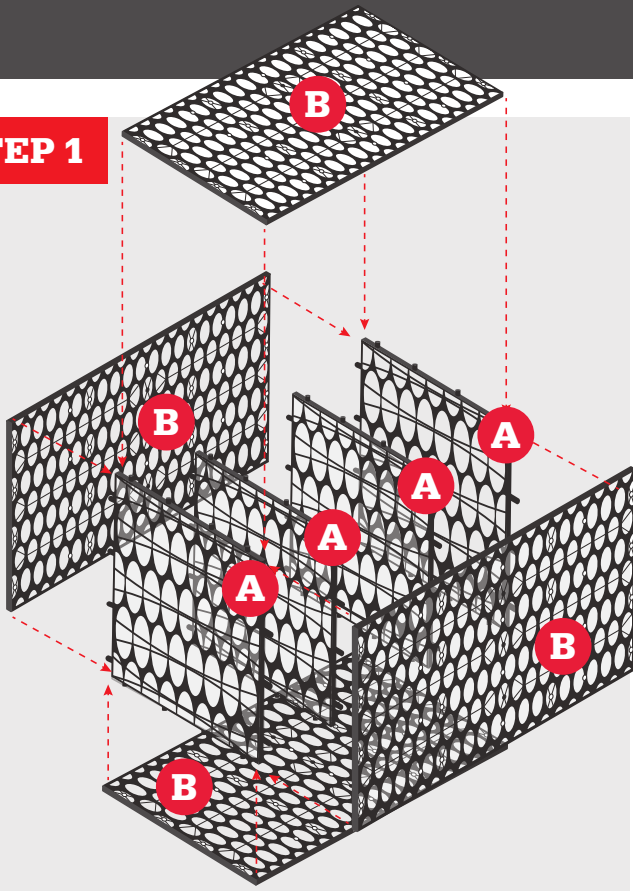
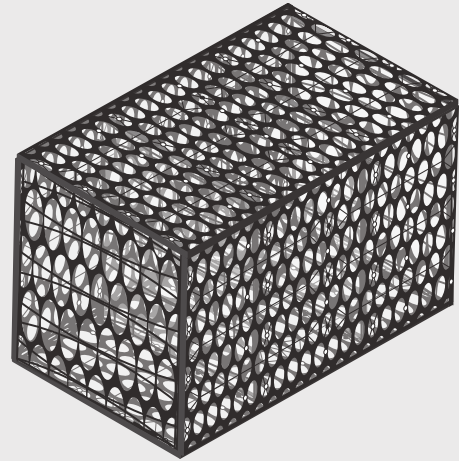


RAINSMART 4 PLATE DOUBLE ELLIPSE™ TANK Assembly

STEP 1

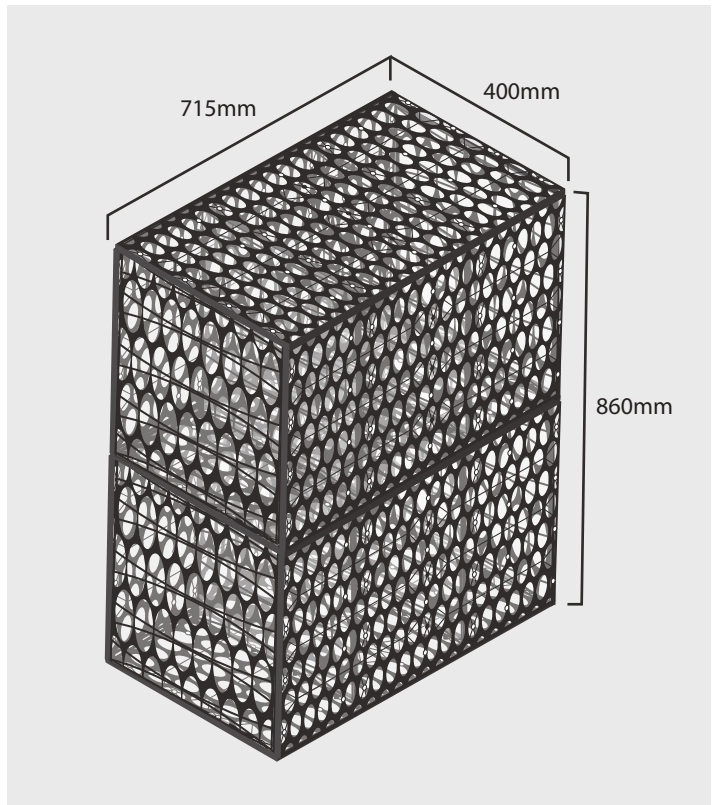
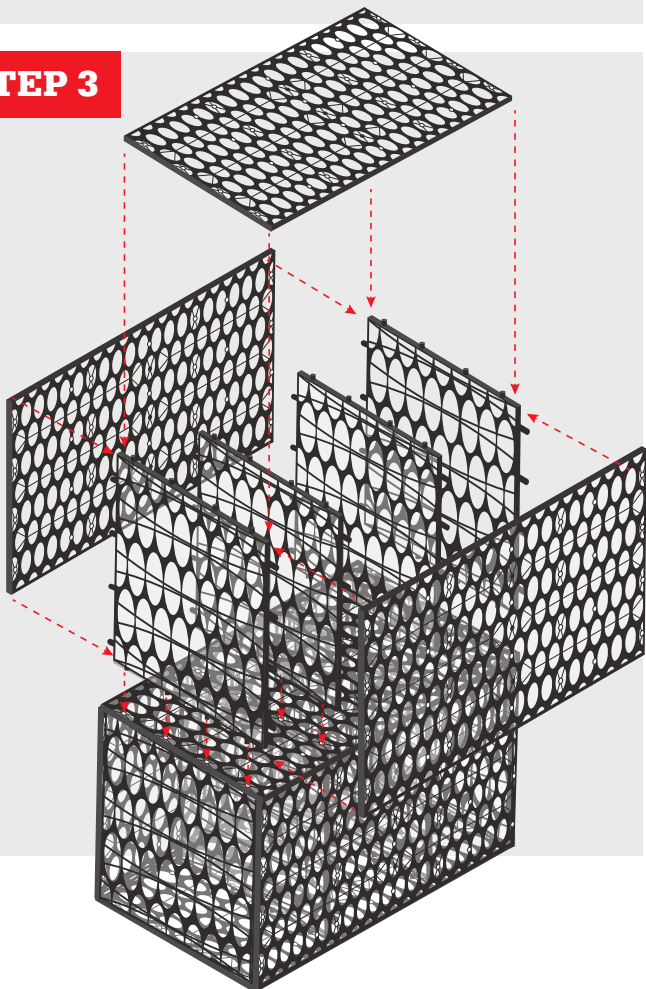


STEP 2

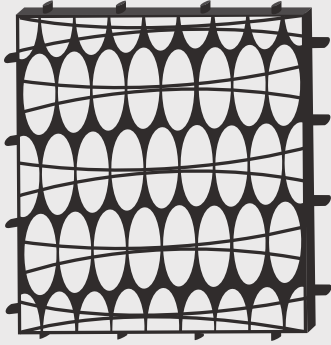


- A** Large Plates
- B** Small Plates

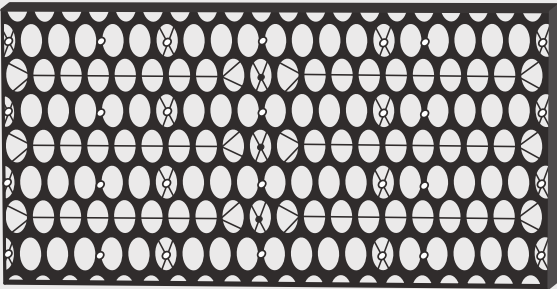
STEP 3



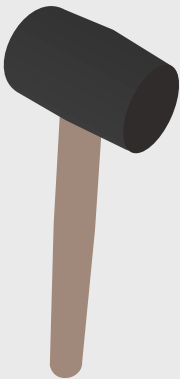
Components you will need



8 Small Plates



7 Large Plates



1 Rubber Mallet